

FLEXITURN

Flexible orienter for all kind of bottles, full or empty, for any material and shape.



Flexiturn is able to turn independently each package in the required grades. The system detects the input position of the package and turns it without causing falls or damages.



ORIENTING

INSPECTING

REJECTING

ANY KIND OF EMPTY OR FULL BOTTLES AND CONTAINERS



In-Line Orienter over existing conveyor, in order to position independently each bottle.

Description

- In-line, autonomous and turnkey system
- Fast and compact installation on conveyor
- Performance lines up to 650 bpm
- It provides a constant stream of oriented bottles
- Sweet handling of the bottles

In-line orientation through:

- Independently driven sidebands
- Rotation of any number of degrees

Advantages

- Compact and in-line system
- Flexible system
- Fast change of format
- Compatible with all formats
- Robust, with gates and safety covers

Applications

Orientation of:

- Bottles, cans, small bottles and flasks:
 - Glass or plastic
 - Full or empty
 - Collared or without collar
- caps
- Circular cans

Features

The input orientation is detected by inspection of:

- Mechanical shapes
- Prints, textures, graphics etc.

Orientation detection techniques:

- Ultrasound, laser, light sensors, infrared, inductive
- Intelligent cameras (no PC required)
- CCD B/N cameras of 1,3 mega pixels (PC based)

rockwell or siemens Servo-motors,

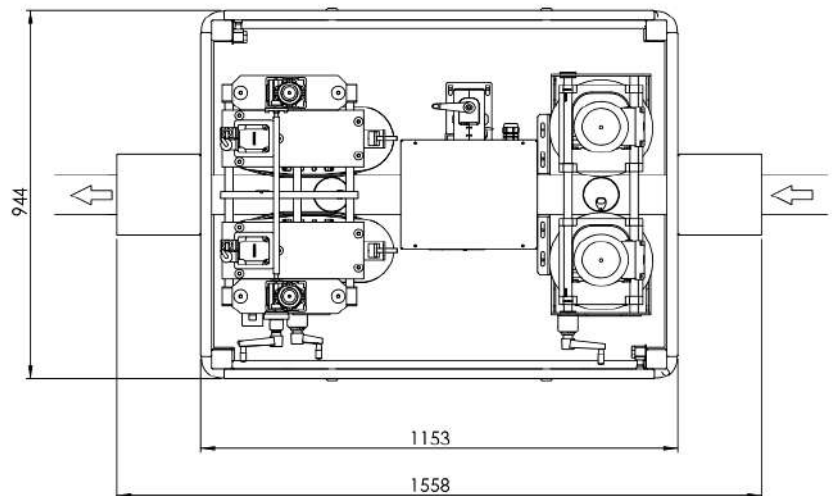
Options

Unstable, light and/or empty bottles:

- Installation of a section of tape with suction

Separator mechanism for incoming bottles:

Due to the nature of the system, it is necessary to ensure that the bottles reach the orienting point with a minimum step. Only in this way we can rotate the bottles one to one.



Estudis Electro-Mecanics s.l.

C/ Pau Vilà i Dinarés, 4-10
08192 Sant Quirze del Vallès - Barcelona
SPAIN

Tel. (+34) 93 720 85 40
Fax. (+34) 93 720 85 25
comercial@e2m-controlvision.com
www.e2m-controlvision.com

E2M also designs custom systems to accommodate needs of each client.
Data subject to modification without prior notice, according to technical advance and product development.

